



SPECSON
INSTRUMENTS

Dual Channel Injection/Withdraw Pump



Specson 400-S

The Specson 400-S is dual independent channel infusion and withdraw syringe pump. This products is built with 2 separate stepper motor and drivers which are capable of independent, pulseless and reproducible injection/withdraw. The entire case is made out of 6061 series aluminum with 7" capacitive touch screen.

Specson 400-S Data Sheet

Technical Specifications

Mode	Infuse/Withdraw
Accuracy	$\pm < 0.40\%$
Reproducibility	$\pm < 0.05\%$
Syringe Size(Min/Max)	0.5 μ L to 60mL
Syringe Type	Plastic, Glass and Stainless Steel
Syringe Flow Rates	-----
Minimum Flow Rate	0.0001 μ L/min (with 0.5 μ L syringe)
Maximum Flow Rate	85 mL/min(with 60mL syringe)
Linear Force	61 lb
Multi Steps	Infinite number of loop steps
Display	7 inch LCD Capacitive Touch Screen
Connectivity	USB-B
System Dimensions	12.2 x 5.1 x 5.12 inches (31 x 13 x 13.3 cm)
Power	110/220 VAC switches between 110V to 220V 30 Watts
Weight	6 kg
Motor Drive	1.8° Stepper Motor with Micro-stepping
Step Resolution	0.0528 μ m/step
Operating Temperature	4°C to 52°C (40°F to 116°F)
Storage Temperature	-10°C to 70°C (14°F to 158°F)
Modular Capability	Option to add 8 syringe rack
Parameter Setting	Option to choose time or rate
Humidity	20% to 80% RH, non-condensing
Installation Category	II
Regulatory Compliance	CE

Estimated time display

Oh 45m 30sec

Oh 45m 30sec

12.44

12.44

160

160

START

Opens "Create Recipe" menu

Two different pump mode

Opens "Select Recipe" menu

Opens "Syringe" menu

1

2

3

Inner Diameter(mm)

12.44

Withdraw Mode

160

Oh 29m 3sec

123/3000 μ l

Inner Diameter(mm)

10.2

Injection Mode

110

Oh 29m 3sec

123/3000 μ l

You can monitor start, continue and abort the process

Syringe 1

Syringe Type(cc) 5

Inner Diameter(mm) 9

Save

Beybi

Set

User's Syringes

1

You can create your own syringe from here

You can access pre saved syringes

Also you can select your saved syringes

Recipe Management System

You can create your own recipe and easily select and run pre-saved recipes.

2

The interface displays a table with the following data:

Mode	Injection Volume(ml)	Injection Rate(ul/min)
i	4	375
w	4	1200
i	2	1500
w	2	500

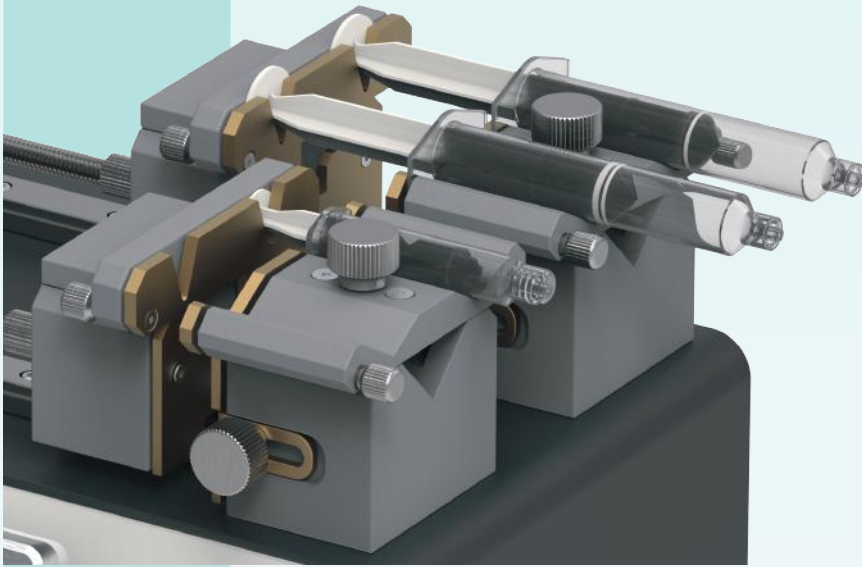
Additional controls include: a 'Save' button, 'Syringe Type(cc)' set to 5, 'Inner Diameter(mm)' set to 12, 'Add Step' button, 'Syringe Initial mL' set to 4, and a 'Go' button with options for 0h, 15m, and 20h.

You can select your injection rate and direction

The dialog shows 'Injection Volume' set to 6 and 'Injection Rate' set to 100. It includes 'Withdraw' and 'Injection' buttons for direction selection, and 'Add' and 'Cancel' buttons for confirmation.

3

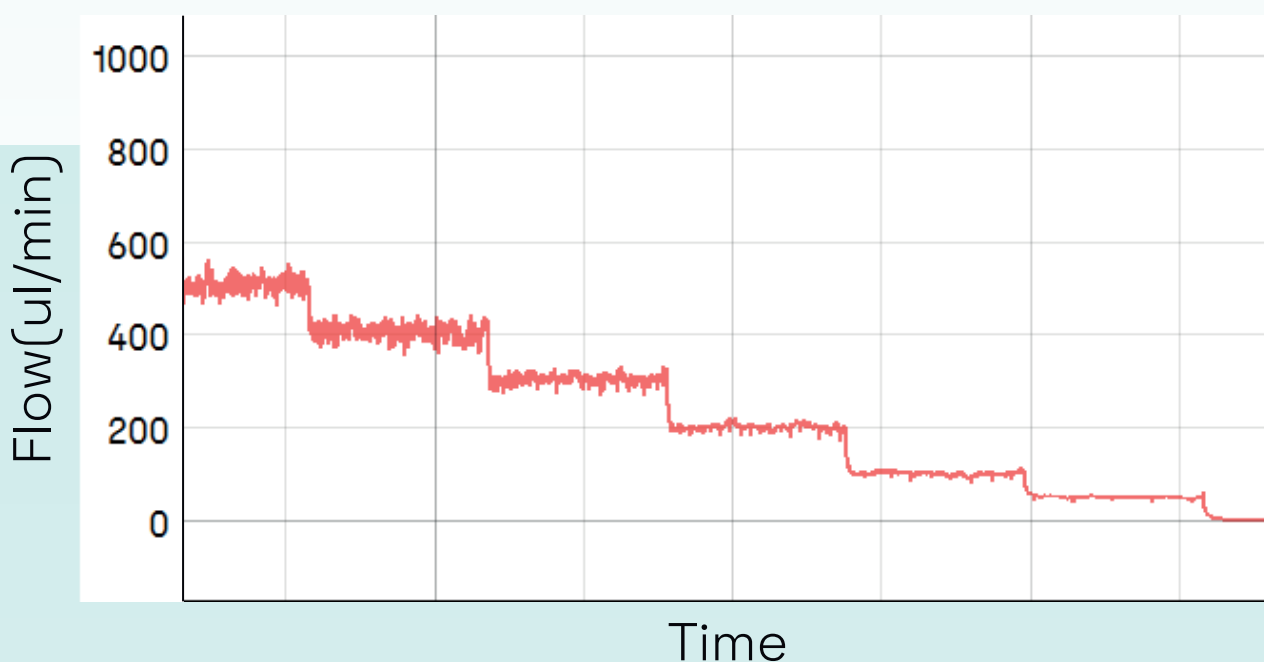
The screen displays three recipe icons labeled 'Recipe 1', 'Recipe 2', and 'Recipe 3'. At the bottom, there are 'Select' and 'Delete' buttons.



4 Syringe Expanding Rack For Specson 400-S

This expansion unit allows you to use 4 syringes(2+2) at once for [Specson 400-S](#).

Precise & Continuous Flow Characteristics



This data has been collected by Sensirion SLF3S_600 liquid flow meter at different water flow rates.